

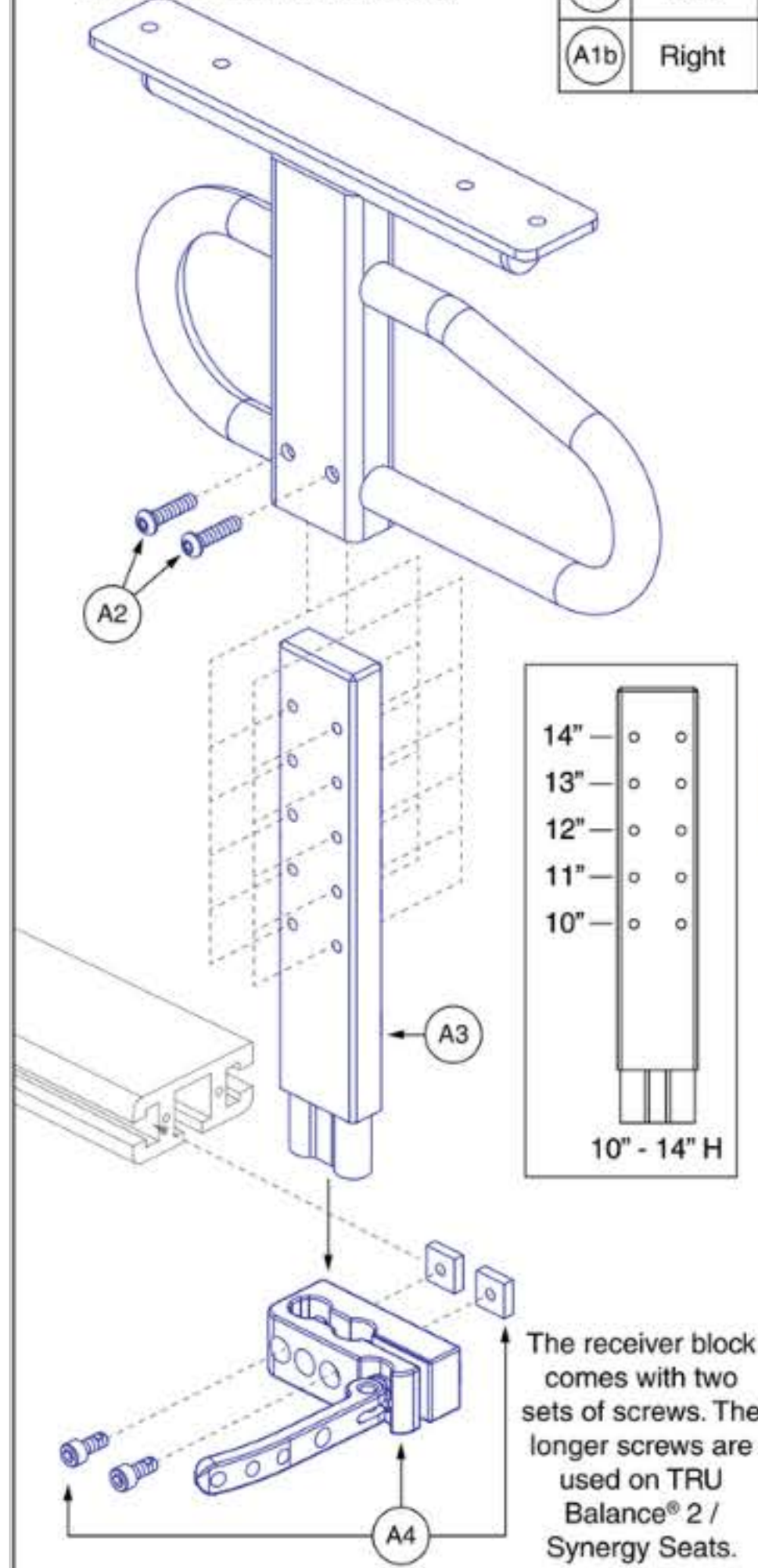
Armrest Replacement Notes:

- Due to a product enhancement, as of Serial Number JC711024216020, the upright (A3) and receiver (A4) were updated to a new version.
- Version 1 and version 2 components are not compatible. When replacing a version 1 receiver block (C1), both the upright (A3) and receiver (A4) must be replaced with version 2 components.
- If replacing one side, it's recommended that the other side is also replaced, though it is not necessary.
- Only parts with callouts are available for replacement. For parts without callouts, the complete assembly must be selected.

HD Removable Bariatric Armrest Assembly, 10"-14"H

(A2) through (A4) are included with the complete assemblies (A1a / A1b), they are also available individually.

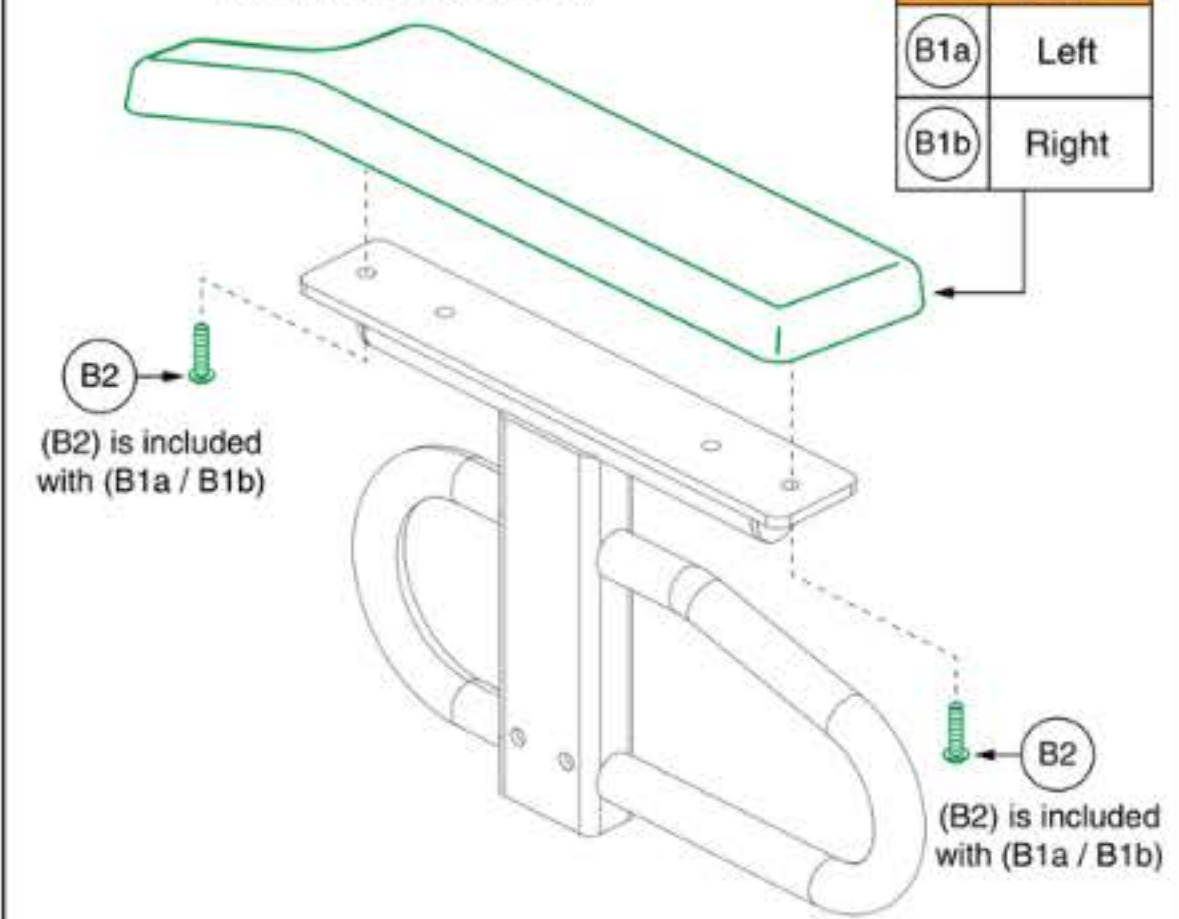
Complete Assy	
(A1a)	Left
(A1b)	Right



Bariatric Armpads and Replacement Screws

The armpads (B1a / B1b) are **NOT** included with the complete assemblies (A1a / A1b) and must be selected separately.

Armpads	
(B1a)	Left
(B1b)	Right



Version 1 Receiver Block (See Notes)

